

# GAUGES CATALOGUE



**GALAXY**

## GENERAL PRESSURE GAUGE G SERIES



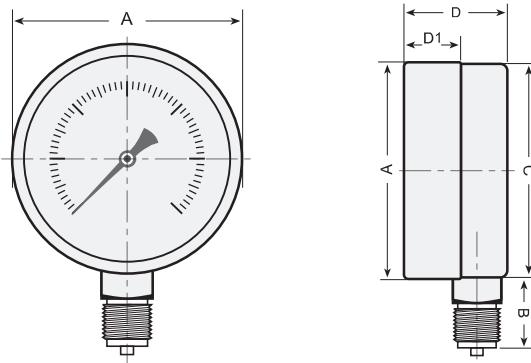
### FEATURES

1. Economical, designed for general application
2. Dual scale pressure units reading
3. Bottom socket connection
4. Suitable for gas or liquid which do not attack the brass measuring system
5. Applicable for building, air conditioning, fire protection, cold water plumbing, general industries

### SPECIFICATIONS

Design Standard	EN 837-1	
Dial Size <sup>(1)</sup>	2-1/2"(65mm)	4"(100mm)
Connection (BSPT/NPT)	1/4"	1/2" or 3/8"
Accuracy Class	2.5	1.6
Operating Pressure	75% of full scale value	
Ambient Temp.	-40°C to 60°C	
Operating Temp.	Max. 60°C	
Protection	IP54	
Scale Unit	Dual Scale in bar and psi	
Range (bar/psi) <sup>(2)</sup>	-1~4bar/-30inHg~60psi	
	0~10bar/0~150psi	
	0~16bar/0~230psi	
	0~20bar/0~300psi	

Note: (1) 6" dial is also available for us, please contact us if needed  
 (2) For other scale range request, please confirm with us



### MATERIALS

Dial Plate	White Aluminum
Case	Painted Black Steel
Bezel	Painted Black Steel
Window	Instrument Glass
Pointer	Black Aluminum
Bourdon Tube	Brass
Movement	Brass
Connection	Brass

### DIAMENSIONS

Dial Size	A	B	C	D	D1	Thread Connection
2.5"	φ64	20	φ62	28	10	1/4"
4"	φ100	32	φ97.5	42.5	22	1/2" or 3/8"

(Unit: mm)

## STAINLESS STEEL PRESSURE GAUGE S SERIES



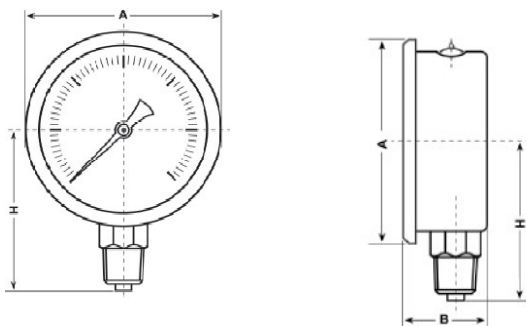
S-B



S-T

### FEATURES

1. Stainless steel casing
2. Dual scale pressure units reading
3. Model S-B is suitable for gas or liquid which do not attack the brass measuring system
4. Model S-T is suitable for medium or environment contains chemically aggressive substances
5. Glycerin filled for dampen mechanical vibration
6. Applicable for building services, air-conditioning, fire protection, cold water plumbing, general industries



### SPECIFICATIONS

Model	S-B/S-T	
Design Standard	EN837-1	
Dial Size	2-1/2"(65mm)	4"(100mm)
Connection (BSPT/NPT)	1/4"	1/2"
Operating Pressure	75% of full scale value	
Ambient Temp.	-40°C to 60°C	
Medium Temp.	60°C (Maximum)	
Protection	IP65	
Accuracy Class	1.6	
Scale Unit	Dual scale in bar and psi	
Range (bar/psi) <sup>(1)</sup>	-1~4bar/-30inHg~60psi	
	0~10bar/0~150psi	
	0~16bar/0~230psi	
	0~20bar/0~300psi	

Note: (1) For other scale range request, please confirm with us

### MATERIALS

Model	S-B	S-T
Dial Plate	White Aluminum	
Case	Stainless Steel 304	
Window	Polycarbonate	
Pointer	Black Aluminum	
Movement	Brass	Stainless Steel 304
Connection	Brass	Stainless Steel 316
Bourdon Tube	Copper Alloy	Stainless Steel 316
Standard Filling	Glycerin	

### DIAMENSIONS

Model	S-B				S-T				
	Dial Size	A	B	H	Thread Connection	A	B	H	Thread Connection
2.5"	φ68	29.8	54.5	1/4"	φ68	29.8	54.5	1/4"	1/4"
4"	φ109	35.5	74	1/2"	φ109	35.5	74	1/2"	1/2"

(Unit: mm)

## STAINLESS STEEL PRESSURE GAUGE E SERIES



E-B



E-T

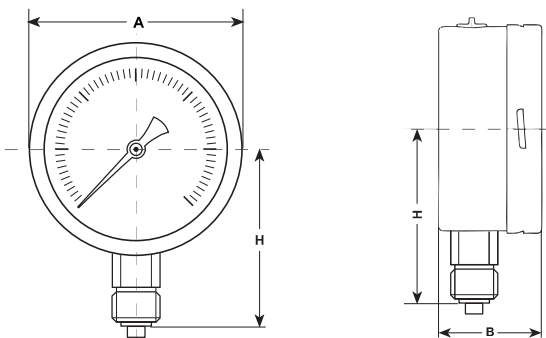
### FEATURES

1. Stainless steel casing and internal bourdon tube
2. Dual scale pressure units reading
3. Model E-B is suitable for gas or liquid which do not attack the brass measuring system.
4. Model E-T is suitable for medium or environment contains chemically aggressive substances
5. Glycerin filled for system or equipment with excessive pulsating pressure, shock and vibration
6. Applicable for building services, air-conditioning, fire protection, cold water plumbing, general industries

### SPECIFICATIONS

Model	E-B/E-T	
Design Standard	EN837-1	
Dial Size <sup>(1)</sup>	2-1/2"(65mm)	4"(100mm)
Connection (BSPT/NPT)	1/4"	1/2"
Accuracy Class	1.6	1.0
Operating Pressure	75% of full scale value	
Ambient Temp.	-40°C to 60°C	
Medium Temp.	Max. 60°C (E-B) (Dry) Max. 200°C (E-T)	
Protection	IP65	
Scale Unit	Dual scale in bar and psi	
Range (bar/psi) <sup>(2)</sup>	-1 ~ 4bar/-30inHg ~ 60psi	
	0 ~ 10bar/0 ~ 150psi	
	0 ~ 16bar/0 ~ 230psi	
	0 ~ 20bar/0 ~ 300psi	

Note: (1) 6" / 8" / 10" dial are also available, please contact us if needed  
(2) For other scale range request, please confirm with us



### MATERIALS

Model	E-B	E-T
Dial Plate	White Aluminum	
Case	Stainless Steel 304	
Window	Laminated Safety Glass	
Pointer	Black Aluminum	Black Stainless Steel
Movement	Brass	Stainless Steel 304
Connection	Brass	Stainless Steel 316
Bourdon	Brass	Stainless Steel 316
Standard	Glycerin	

### DIAMENSIONS

Model	E-B				E-T			
	Dial Size	A	B	H	Thread Connection	A	B	H
2.5"	φ64	34	54	1/4"	φ64	34	54	1/4"
4"	φ101	50	83	1/2"	φ101	50	83	1/2"

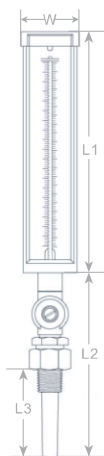
(Unit: mm)

## ADJUSTABLE ANGLE GLASS THERMOMETER IT SERIES



### FEATURES

1. Adjustable pivot that allows the movements of an angle of up to 180°
2. Green spirit-filled liquid, mercury free
3. Magnifying lens tube for easy reading
4. Dual scale reading in Celsius (°C) and Fahrenheit (°F)
5. Equipped with brass removable thermowell
6. Applicable for commercial building (heating and cooling), boiler, tanks and process piping etc



### SPECIFICATIONS

Case Length	7"(178mm)
	9"(228mm)
Thermowell Length	3-1/2"(89mm)
	6"(150mm)
Thermowell	3/4" NPT
Accuracy	(+/-)2% of Full Scale Value
Scale Unit	Dual scale in °C and °F
Range (°C/°F)	-40~40°C/-40~110°F
	-20~50°C/0~120°F
	-20~70°C/0~160°F
	-10~80°C/20~180°F
	0~115°C/30~240°F
	0~140°C/30~300°F

### MATERIALS

Dial Plate	White Aluminum
Window	Glass
Case	Black V-Shape Aluminum
Thermowell	Brass
Tube and Capillary	Green Spirit

### DIAMENSIONS

Case Size	W	L1	L2	L3	Thread Connection
7"	61	178	195	89/150	3/4"
9"	61	228	195	89/150	3/4"

(Unit: mm)

## V-LINE THERMOMETER VT SERIES



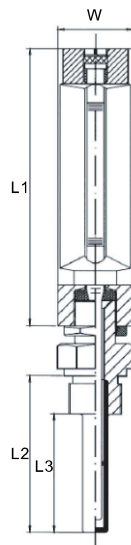
VT-S  
(Straight Type)



VT-L  
(Angel Type)

### FEATURES

1. Straight bottom or 90° angle back insertion
2. Organic blue liquid filled for easy reading
3. Dual scale reading in Celsius (°C) and Fahrenheit (°F)
4. Equipped with brass thermowell
5. Suitable for water, steam, oil within thermometer range
6. Applicable in ships, pipelines and some heating facilities



### SPECIFICATIONS

Type	VT-S/VT-L
Case Length <sup>(1)</sup>	4"(110mm)
	6"(150mm)
Thermometer Length	2-1/2"(65mm)
	4"(100mm)
	6"(150mm)
Connection	1/2" BSPT/NPT
	3/4" BSPT/NPT
	3/8" BSPT/NPT
Scale Reading	Dual scale in °C and °F
Accuracy	(+/-)2% of Full Scale Value
Range (°C/°F)	-40~40°C/-40~110°F
	-30~50°C/-20~120°F
	0~50°C/30~120°F
	0~120°C/30~250°F
	0~200°C/30~390°F

Note: (1) 8" dial are also available for us, please contact us if needed

### MATERIALS

Case	Aluminum, Anodized Gold
Thermometer	Brass
Lens	Glass Cushioned
Filling Liquid	Organic Liquid Fill

### DIAMENSIONS

Case Size	W	L1	L2	L3	Thread Connection
4"	34	110	65/100/150	50/85/135	1/2", 3/4", 3/8"
6"	34	150	65/100/150	50/85/135	1/2", 3/4", 3/8"

(Unit: mm)

## BIMETAL THERMOMETER BT SERIES



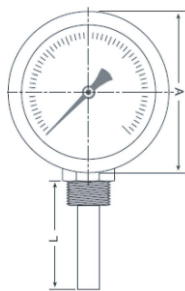
**BT-S**  
(Bottom Entry Type)



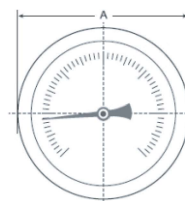
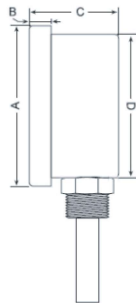
**BT-L**  
(Back Entry Type)

### FEATURES

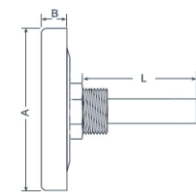
1. Center back or bottom connection
2. Bimetallic coil sensing element for reliable readings
3. Temperature reading in Degree Celcius (°C)
4. Equipped with brass thermowell
5. Suitable for water, steam, oil within thermometer range
6. Applicable for light industries, HVAC use, especially for refrigeration and hot water



**BT-S**



**BT-L**



### SPECIFICATIONS

Model	BT-S/BT-L
Nominal Diameter <sup>(1)</sup>	2-1/2"(65mm)
	4"(100mm)
Thermometer Length (including thread) <sup>(2)</sup>	2-1/2"(65mm)
	4"(100mm)
	6"(150mm)
Connection (BSPT/NPT)	1/2"
Accuracy	(+/-)2% of Full Scale Value
Range (°C) <sup>(2)</sup>	-40~40°C
	-30~50°C
	-20~60°C
	0~120°C

Note: (1) 1-1/2" / 3" dial are also available, please contact us if needed  
(2) For other thermowell length request, please confirm with us

### MATERIALS

Model	BT-S / BT-L
Case	Zinc Plated Steel
Bezel	Zinc Plated Steel
Window	Glass
Bulb	Brass
Thermometer	Brass
Temperature Sensor	Bimetal Coil

### DIAMENSIONS

Model	BT-S						BT-L			
	Dial Size	A	B	L	C	D	Thread Connection	A	B	L
2.5"	φ 68.8	11.5	65,100,150	38	62	1/2"	φ 63.5	10	65,100,150	1/2"
4"	φ 109.5	14	65,100,150	50	100	1/2"	φ 100	14	65,100,150	1/2"

(Unit: mm)

## BIMETAL THERMOMANOMETER PT SERIES



PT-S  
Bottom Entry Type



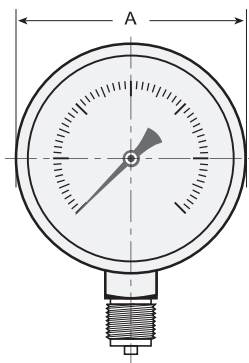
PT-L  
Back Entry Type

### FEATURES

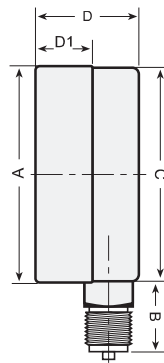
1. Specially designed for hot water boilers
2. Two gauges-in-one
3. Pressure reading in Bar and temperature reading in Degree Celcius (°C)

### SPECIFICATIONS

Type	PT-S/PT-L
Nominal Diameter	3" (80mm)
Connection	1/2" BSPT/NPT
Accuracy (For Pressure)	+/-2.5% of full scale
Accuracy (For Temperature)	+/-2.5% of full scale
Protection	IP54
Range (For Pressure)	0-4/0-6/0-10/0-16Bar
Range (For Temperature)	0-120°C



PT-S



### MATERIALS

Dial-Plate	White Aluminum
Case	Black Steel
Friction Ring	Chrome Plated
Connection	Brass
Window	Glass
Pointer	Black Aluminum
Movement	Brass
Bourdon Tube	Brass

### DIAMENSIONS

Dial Size	A	B	C	D	D1	Thread Connection
(PT-S) 3"	φ80	38	78	31	12	1/2"

Note: Please contact us for PT-L dimensions

(Unit: mm)



# GALAXY



Tianjin Galaxy Valve Co., Ltd  
No.49, Guanghui Road, Beizhakou Town,  
Jinnan District, Tianjin, China  
Website: [www.galaxyvalves.com](http://www.galaxyvalves.com)